

R44 CADET & CADET WITH FLOATS



The two-seat Cadet is a versatile helicopter ideally suited for flight schools and operators that want the economy of a small helicopter without sacrificing the power and performance of a large helicopter.

The Cadet has the same airframe, rotor system and Lycoming O-540 engine as the proven R44 Raven I. The differences are the Cadet's aft compartment has been reconfigured for cargo, the maximum gross weight is reduced to 2200 lb and the engine power is derated to 210 take-off and 185 continuous. The lower weight and derated power provide increased performance margins at high altitudes and lengthen the time between overhaul to 2400 hours.

Cadets feature the latest in Robinson technology including streamlined instrument panels and crashworthy bladder fuel tanks.

OPTIONS

- Air Conditioning
- Leather Seats in Tan, Charcoal or Gray
- Garmin and Aspen Primary and Multifunction Flight Displays
- Garmin GTN 600/700 Series Touch-screen Navigators
- Genesys HeliSAS Autopilot
- Garmin ADS-B Compliant Transponders
- Garmin GMA 350Hc Audio Panel
- Bose A20 Headsets with Bluetooth



Optional Panel shown with optional Garmin G500H, Garmin GTN 750, Genesys HeliSAS Autopilot, GMA 350Hc audio controller, GTX 345 transponder, right and left accessory bars



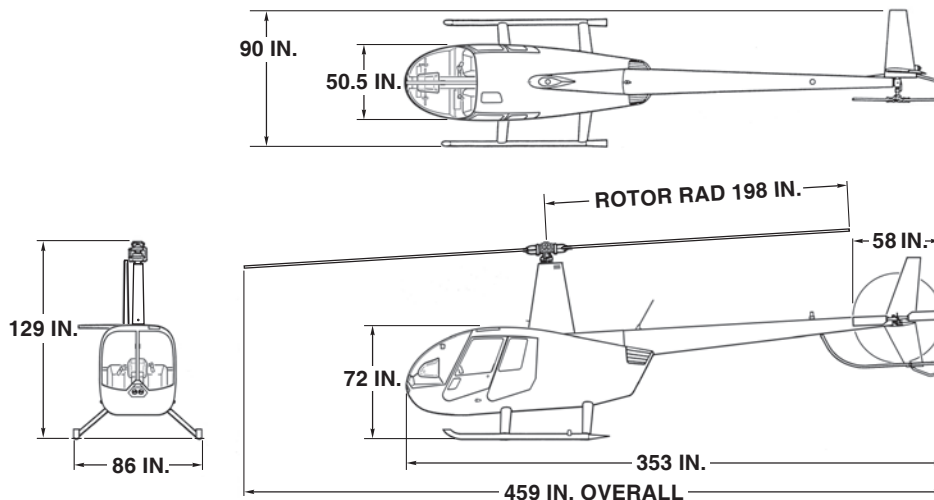
Standard Panel

R44 CADET & CADET WITH FLOATS

SPECIFICATIONS

Helicopter	R44 CADET	R44 CADET with fixed floats
Engine	Lycoming O-540, six cylinder, carbureted	Lycoming O-540, six cylinder, carbureted
Horsepower	Derated to 210 for takeoff & 185 continuous	Derated to 210 for takeoff & 185 continuous
Maximum Gross Weight	2200 lb (998 kg)	2200 lb (998 kg)
Approximate Empty Weight (incl. oil & standard avionics)	1437 lb (652 kg)	1487 lb (674 kg)
Standard Fuel (29.5 gal)	177 lb (80 kg)	177 lb (80 kg)
Auxiliary Fuel (17.0 gal)	102 lb (46 kg)	102 lb (46 kg)
Pilot, Passenger, and Baggage (with maximum fuel)	484 lb (220 kg)	434 lb (197 kg)
Cruise Speed at Maximum Gross Weight	up to 107 kts (198 km/h)	up to 100 kts (185 km/h)
Maximum Range (no reserve)	approx 300 nm (550 km)	approx 300 nm (550 km)
Hover Ceiling IGE at Maximum Gross Weight	8750 ft @ 2200 lb	8750 ft @ 2200 lb
Hover Ceiling OGE at Maximum Gross Weight	5250 ft @ 2200 lb	5250 ft @ 2200 lb
Rate of Climb	over 1000 fpm	over 1000 fpm
Maximum Operating Altitude	14,000 ft	14,000 ft
Electrical System	28 volt	28 volt

DIMENSIONS



STANDARD AVIONICS

- Six-hole instrument panel
- GTR 225B COM radio
- GTX 327 Mode C transponder

STANDARD INSTRUMENTS

- Airspeed indicator
- Altimeter (in-Hg)
- Rotor/engine dual tachometer
- Manifold pressure gage
- Vertical speed indicator
- Magnetic compass
- Cylinder head temperature gage
- Oil temperature & pressure gages
- Fuel quantity gages
- Ammeter
- Carburetor temperature gage
- Digital clock
- Digital OAT gage/voltmeter
- Hourmeter

STANDARD EQUIPMENT

- Hydraulic power controls
- RPM throttle governor
- Throttle correlator
- Carburetor heat assist
- Main and auxiliary crashworthy fuel bladder tanks
- Removable dual controls
- Engine oil filter and quick drain
- Engine muffler
- Cabin heater and defogger
- Carbon monoxide detector
- Rotor brake
- Intercom switches
- Avionics master switch
- Tinted windows
- Fabric velour seats
- Door opener, gas spring, all four doors
- 3-point shoulder harnesses
- Pilot-side adjustable pedals
- Door locks
- Sound damping headliner
- Underseat storage
- Belly hardpoint
- LED anti-collision and navigation lights
- Dual HID landing lights
- LED panel and map lights
- Tow cart adapter
- Ground handling wheels
- Rotor blade tie downs
- Windshield cover
- Travel bag

ROBINSON HELICOPTER COMPANY

2901 Airport Drive • Torrance, CA • 90505 • USA
 Phone: 310-539-0508 • Fax: 310-539-5198
www.robinsonheli.com